

Surge Protective Device

Technical Documentation



The **PEMCO Models CAT6-POEP & CAT6-POE-IP** are designed to work on Category 6 Power-Over-Ethernet transmission line applications and are ideal for protecting expensive computer and video equipment from damaging surges and transients.

Transmission lines provide easy access for transients to enter a facility, putting vital equipment at risk. The CAT6-POE-IP is available with an isolated ground to be used at the equipment end in order to prevent circulating ground currents.

Up to four CAT6-POEP or CAT6-POE-IPs can be installed using optional ASCO C6MP4 mounting bracket.

General Technical Specifications

	CAT6-POEP	CAT6-POE-IP
Operating Voltage	0-57 VDC	
Clamping Voltage	68 VDC	
Operating Current*	0.75 Amp Per Pin	
Peak Surge Current	10 kA (8 x 20 μ s) Per Pair	
Insertion Loss	< 0.1 dB	
Topology	Two Port Series	
Modes of Protection	All Lines (1-8) Protected (L-L) and (L-G) Signal High-Low; High-Ground; Low-Ground	
Transmission Speeds	10BaseT; 100BaseT; 1000BaseT	
SPD Technology	GDT, SAD, Series PTC	
Input/Output Connection	RJ-45 Jacks (Shielded)	RJ-45 Jacks (Isolated)
CAT 5 Output Cable	Shielded RJ-45, 7" (.18M)	Unshielded RJ-45, 7" (.18M)
Ground Terminal	10-32 Stud	10-32 Stud (Isolated)
Operating Temperature	-40°C to +85°C (operating current adjusted to 40% @ +85°C)	
Operating Humidity	0-95% Non-Condensing	
Dimensions (in / mm)	7.91" L x 3.48" W x 1.89" H [201 x 88.5 x 48 mm]	
Material	Aluminum	
Mounting	Flange	
Weight (oz / g)	5 oz [142 g]	
Certification	UL 497B Listed, Tested to IEC 802.11 (Complies to IEEE 802.3AT and 802.3AF)	
Warranty	5 Year	

Caution

Do not place this product in service on any signal line capable of supplying more than 0.75 Amps continuously.

Key Specs

- **Voltage:** 0-57 VDC
- **Current:** 750 mA
- **Connection:**
Input: female RJ-45
Output: female RJ-45
- **Mounting:** Flange/DIN

*See Ordering Information for model number selection

Features

- Exceeds Category 6 transmission values
- Three stage hybrid circuit
- DC over Ethernet all pins
- Optional mounting bracket
- Optional DIN mounting kit
- 5 year warranty

Certifications

- UL 497B Listed
- IEEE802.3af & IEEE802.3at compliant (POE & POE+)

Optional Multi-Unit Mounting Bracket (Sold Separately)



Part Number: C6MP4

Bracket accommodates up to four Model 185 surge protectors.

Bracket's ground lug allows all devices to share one single ground connection.

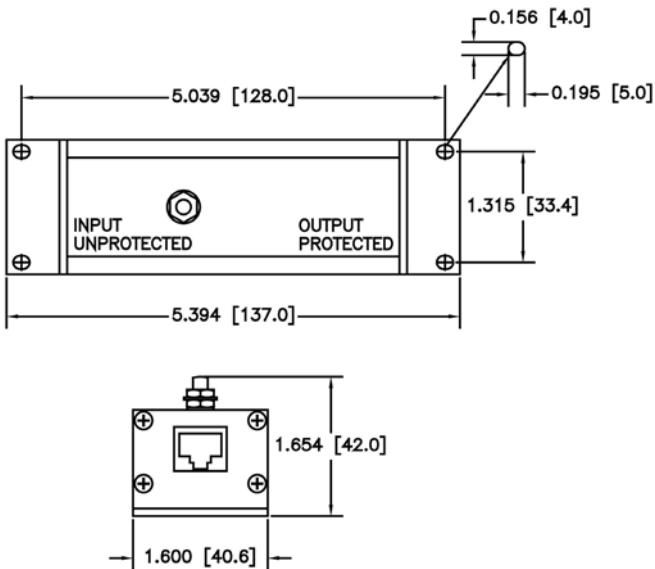
*For applications requiring higher Operating Currents, parallel connections can be utilized. See installation information on Page 2.

Installation Instructions

1. Mount the SPD as close as possible to the protected equipment and secure. #6 hardware is recommended.
2. Connect a #10 ground wire using a 10-32 ring terminal (not provided) to the SPD ground stud. Connect the opposite end of the wire to a "building approved ground". Wire should be short and straight as possible.
3. Connect the CAT6-POEP or CAT6-POE-IP supply cable (with RJ-45 connector) to the INPUT side of the SPD.
4. Complete the circuit by connecting the CAT5 cable (provided) from the output of the SPD to the protected equipment.

Higher Operating Currents	4 Pair – 0.75 A/36W per pin	2 Pair – 1.5 A/72W per pin	1 Pair – 3.0 A/144W per pin
<p><i>* For applications requiring higher Operating Currents, input connections can be paralleled to meet the desired rating.</i></p>			

Dimensional Information



Ordering Information

MODEL	APPLICATION
CAT6-POEP	CAT6 Protection
CAT6-POE-IP	CAT6 Protection with Isolated Ground
ACCESSORIES <i>Former Accessory Name</i>	
C6MP4 <i>C6-MP4</i>	Multi-Unit Mounting Bracket
C6DIN <i>11604KIT-C6</i>	Single unit DIN Mounting Kit * (Sold Separately)

**Includes DIN clips and hardware to mount a single unit.*

DANGER!

Only qualified personnel should install or service this system. Electrical safety precautions must be followed when installing or servicing this equipment. To prevent risk of electrical shock, turn off and lock out all power sources to the unit before making electrical connections or servicing.

Seulement le personnel qualifié doit installer ou maintenir ce système. Des précautions de sécurité en électricité doivent être suivies lors de l'installation ou de la maintenance de cet équipement. Pour éviter tout risque de choc électrique, débranchez et verrouillez toutes les sources d'alimentation de cet équipement avant de.

DPS
1030 Arlington Avenue North
St. Petersburg, FL 33705
Phone: (800) 862-4377
www.DiversifiedPower.com



While every precaution has been taken to ensure accuracy and completeness herein, DPS assumes no responsibility, and disclaims all liability, for damages resulting from use of this information or for any errors or omissions. Specifications are subject to change without notice.

Rev0 04-17