

Surge Protective Device

Technical Documentation



ACCESSORY SOLD SEPARATELY

The Remote Monitor option provides operational status for 1-3 TVSS up to 1000 feet away. The Remote Monitor requires input information from each TVSS' dry contact.

Connections are made to the Remote Monitor's 10 position terminal block using 25 to 18 AWG wire (not provided). The Remote Monitor includes a 6' cord connected power supply that requires a traditional 120VAC wall outlet.

The Remote Monitor's output has one Green LED, one flashing Red LED, an audible alarm and a Form C dry contact (NO-C-NC).

Upon receiving a status change via TVSS' dry contacts, the Remote Monitor's Green LED will go out, the Red LED will flash, the audible alarm will sound, and the Remote Monitor's dry contact output will change state (i.e.: Normally Open will change to Closed, and Normally Closed will change to Open).

Key Specs

- **Three position slide switch: Test, Normal & Silence**
- **Red LED alarm**



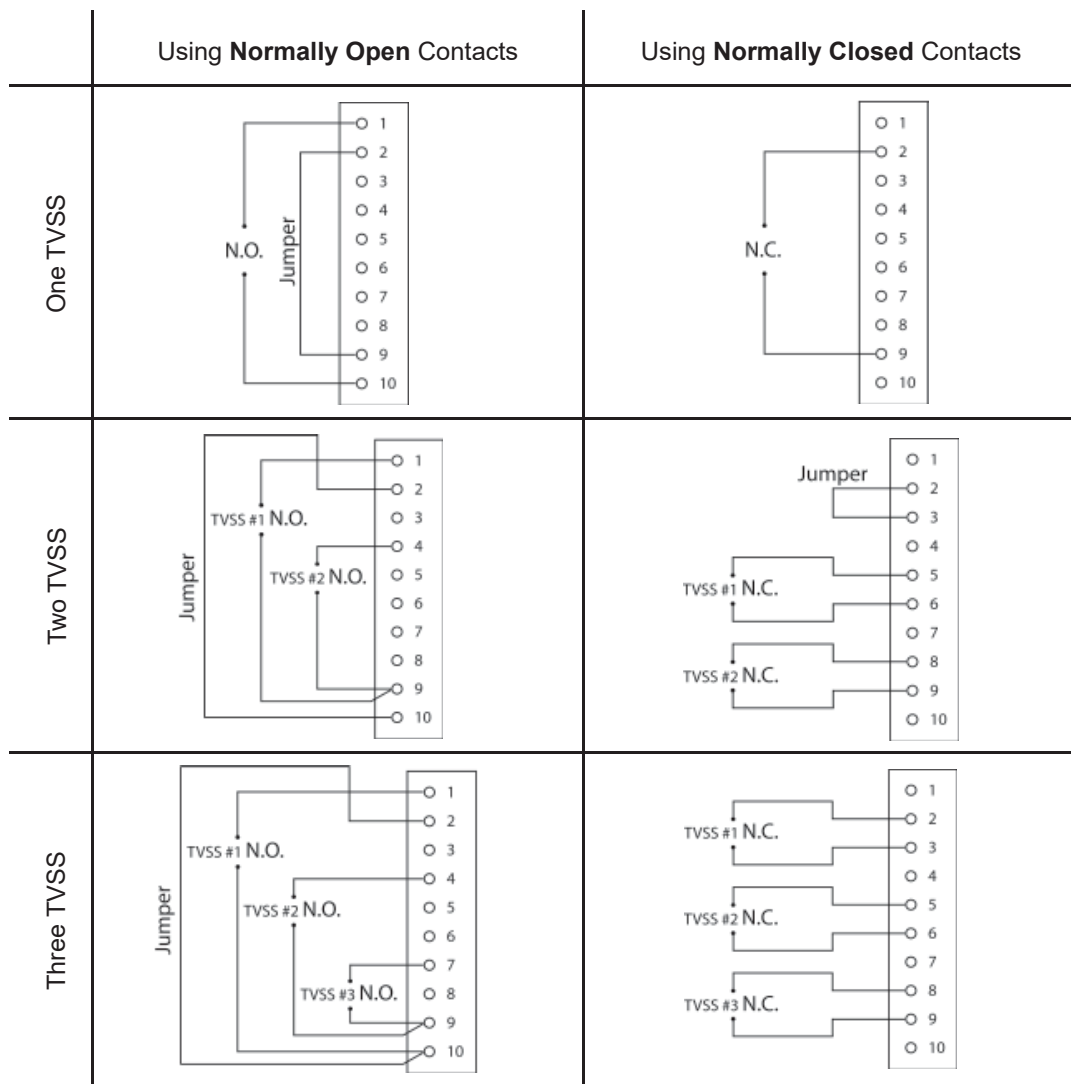
DANGER!

Only qualified personnel should install or service this system. Electrical safety precautions must be followed when installing or servicing this equipment. To prevent risk of electrical shock, turn off and lock out all power sources to the unit before making electrical connections or servicing.

Installation Instructions

Plan installation. Remote Monitor can be installed on Din-Rail or included mounting attachment. Position Remote Monitor appropriately with access to power. Remove four screws to access internal circuit board. Note diagram identifying key components. Input wiring diagram identifying several installation options is included. This unit ships with a jumper installed between 2 and 9 for a typical one TVSS, Normally Open configuration. The jumper can be removed for other configurations. (FYI: 9 and 10 are jumpered internally.) Attach power leads from power supply (not polarity sensitive). If Output Dry Contacts are used, attach appropriately. Use included tie-wraps for cable strain relief. Reassemble unit and mount. Test unit.

Remote Monitor Wiring Diagrams



DPS
 1030 Arlington Avenue North
 St. Petersburg, FL 33705
 Phone: (800) 862-4377
www.DiversifiedPower.com

